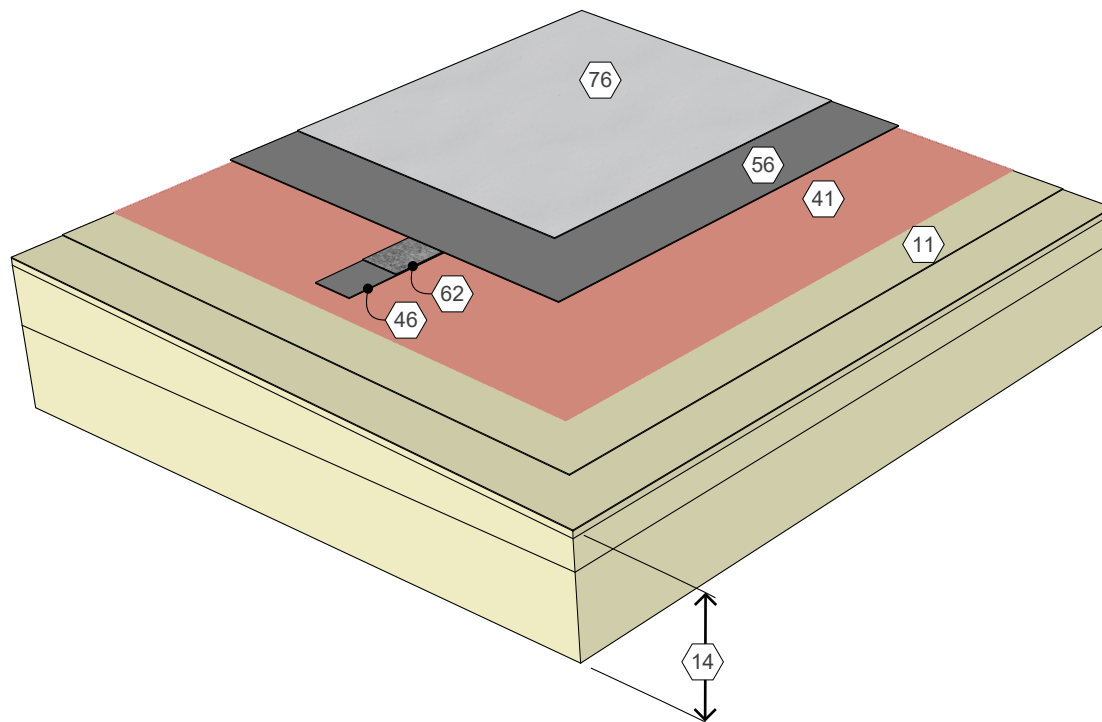


KEY NOTES

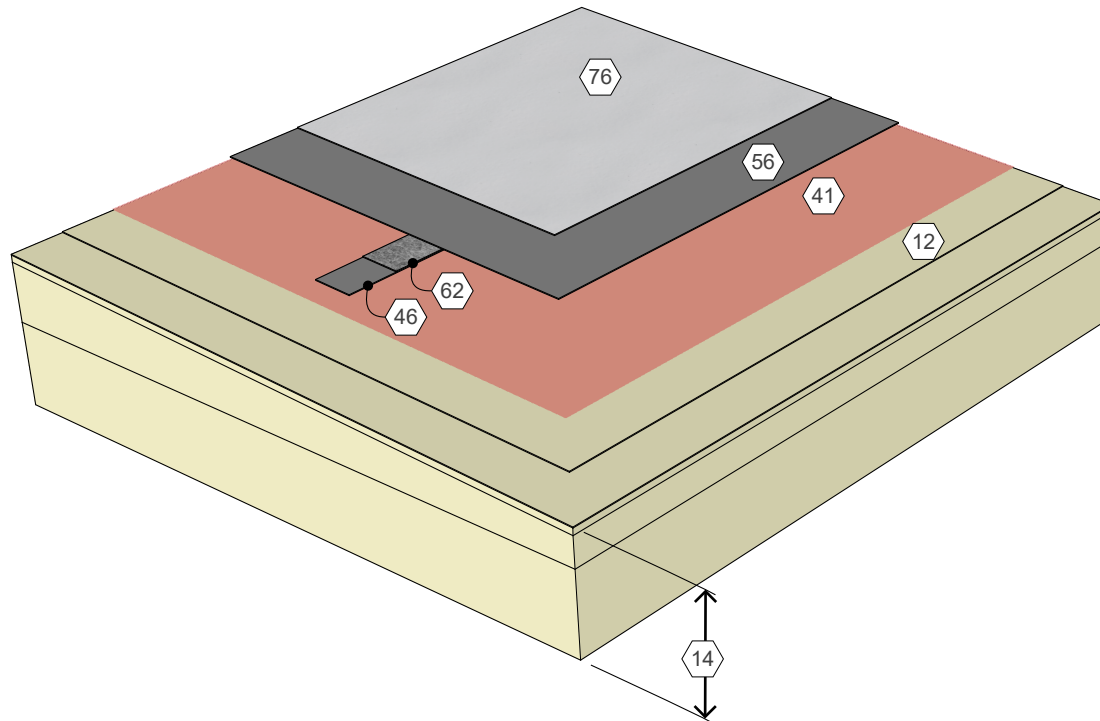
- 11 Existing Single-Ply Membrane
- 14 Existing Structural Deck and Insulation Assembly
- 41 Approved Primer
- 46 SOLARGARD Seam Sealer or SOLARGARD 6083 Base Coat
- 56 SOLARGARD 6083 Base Coat
- 62 Permafab
- 76 SOLARGARD 6083 Finish Coat



SOLARGARD® 6083 Restoration Detail, Single-Ply, System Components
Detail 18001

KEY NOTES

- 12 Existing MB or Smooth BUR
- 14 Existing Structural Deck and Insulation Assembly
- 41 Approved Primer
- 46 SOLARGARD Seam Sealer or SOLARGARD 6083 Base Coat
- 56 SOLARGARD 6083 Base Coat
- 62 Permafab
- 76 SOLARGARD 6083 Finish Coat



SOLARGARD® 6083 Restoration Detail, MB or Smooth BUR, System Components
Detail 18002